



Aluline 37/56

Alu 50W 12V R56 25D CL 1CT/10X5F

Low-voltage halogen burner in specialized aluminum reflector prevents heat in the backlight; bayonet cap for secure fitting

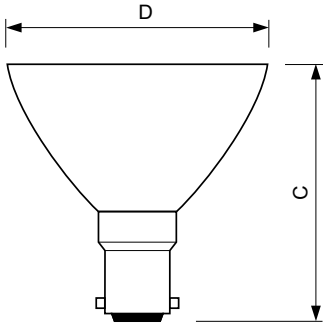
Product data

| General Information | |
|------------------------------------|----------------------------------|
| Cap-Base | B15 [B15] |
| Operating Position | UNIVERSAL [Any or Universal (U)] |
| Nominal lifetime | 4,000 hour(s) |
| Switching Cycle | 8,000 |
| Rated Lifetime (Hours) | 4,000 hour(s) |
| Lighting Technology | Halogen |
| Light Technical | |
| Beam Angle (Nom) | 25 degree(s) |
| Correlated Color Temperature (Nom) | 3000 K |
| Color rendering index (CRI) | 100 |
| Luminous Flux in 90° Cone (Rated) | 760 lumen |
| Operating and Electrical | |
| Power Consumption | 50.0 W |
| Lamp Current (Nom) | 4.17 A |
| Starting Time (Nom) | 0.0 s |
| Warm-up time to 60% light | instant full light s |
| Power Factor (Fraction) | 1 |
| Voltage (Nom) | 12 V |
| Voltage (Nom) | 12 V |

| Controls and Dimming | |
|---------------------------------|----------------------------------|
| Dimmable | Yes |
| Mechanical and Housing | |
| Bulb Finish | Clear |
| Bulb Shape | R56 [R 56mm] |
| Approval and Application | |
| Energy Consumption kWh/1000 h | 53 kWh |
| Product Data | |
| Full product code | 871869666690600 |
| Order product name | Alu 50W 12V R56 25D CL 1CT/10X5F |
| Order code | 923884117102 |
| Numerator - Quantity Per Pack | 1 |
| Numerator - Packs per outer box | 50 |
| Material Nr. (12NC) | 923884117102 |
| Full product name | Alu 50W 12V R56 25D CL 1CT/10X5F |
| EAN/UPC - Case | 8718696666920 |
| EAN/UPC - Product/Case | 8718696666906 |

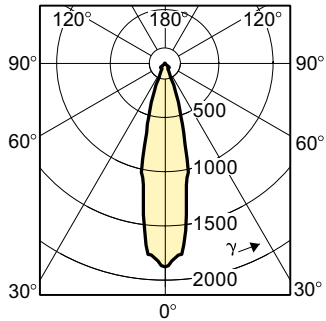
Aluline 37/56

Dimensional drawing



| Product | D (max) | C (max) |
|----------------------------------|---------|---------|
| Alu 50W 12V R56 25D CL 1CT/10X5F | 58 mm | 58 mm |

Photometric data



Light Distribution Diagram - Alu 50W 12V R56 25D CL 1CT/10X5F

