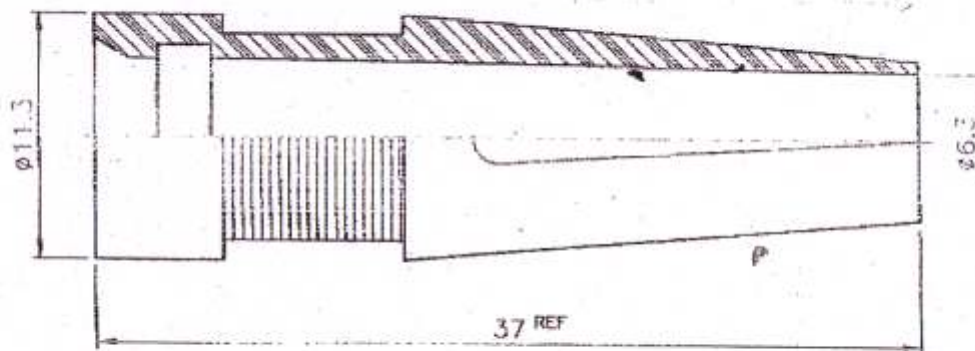
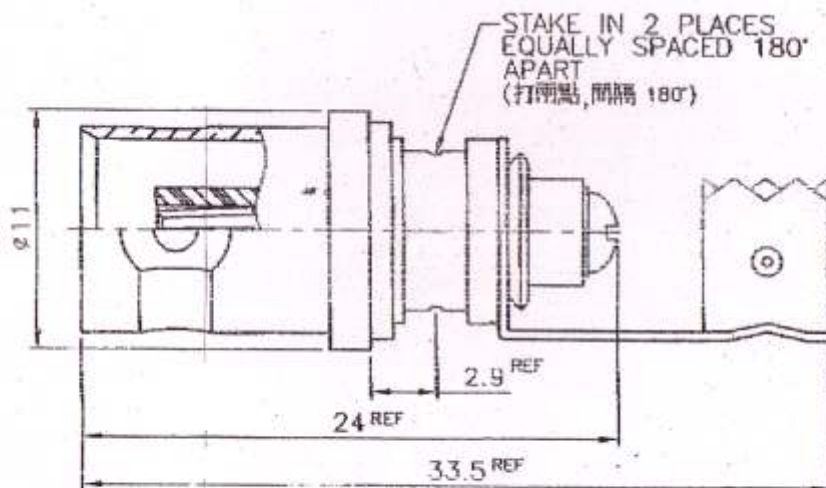


DIMENSIONS ARE IN MILLIMETERS

0.5-5= ±0.2
 5-30= ±0.4
 30-120= ±0.6
 120-315= ±1
 315-1000= ±1.6
 1000-2000= ±2.4



NOTES: FINISH (PLATING THICKNESS IN MICRO-INCHES)
 1. BRASS PER QQ-B-626
 2. NICKEL PL 70 MIN THICK OVER COPPER STRIKE

REMARK: RoHS COMPLIANT
 (符合 RoHS)

8	BOOT	PVC	BLACK	
7	GROUND TAG	NOTE 1	NOTE 2	
6	LOCK RING	NOTE 1	NOTE 2	
5	INSULATOR	DELFIN	WHITE	
4	BODY	NOTE 1	NOTE 2	
3	SCREW	SS41	NOTE 2	
2	INSULATOR	DELFIN	WHITE	
1	CONTACT PIN	NOTE 1	NOTE 2	
NO.	DESCRIPTION	MATERIAL	FINISH	Q'TY

APPROVED BY :



Date: NOV 13 2009

UNITED AU-VI CO., LTD.

Description:

BNC FEMALE

Part No.:

V-7102A

ULTIMAX
 THE ULTIMATE ELECTRONIC COMPONENTS

File No. 7161NS500CG002B