

DIMENSIONS ARE IN MILLIMETERS

0.5-5 = +/- 0.2

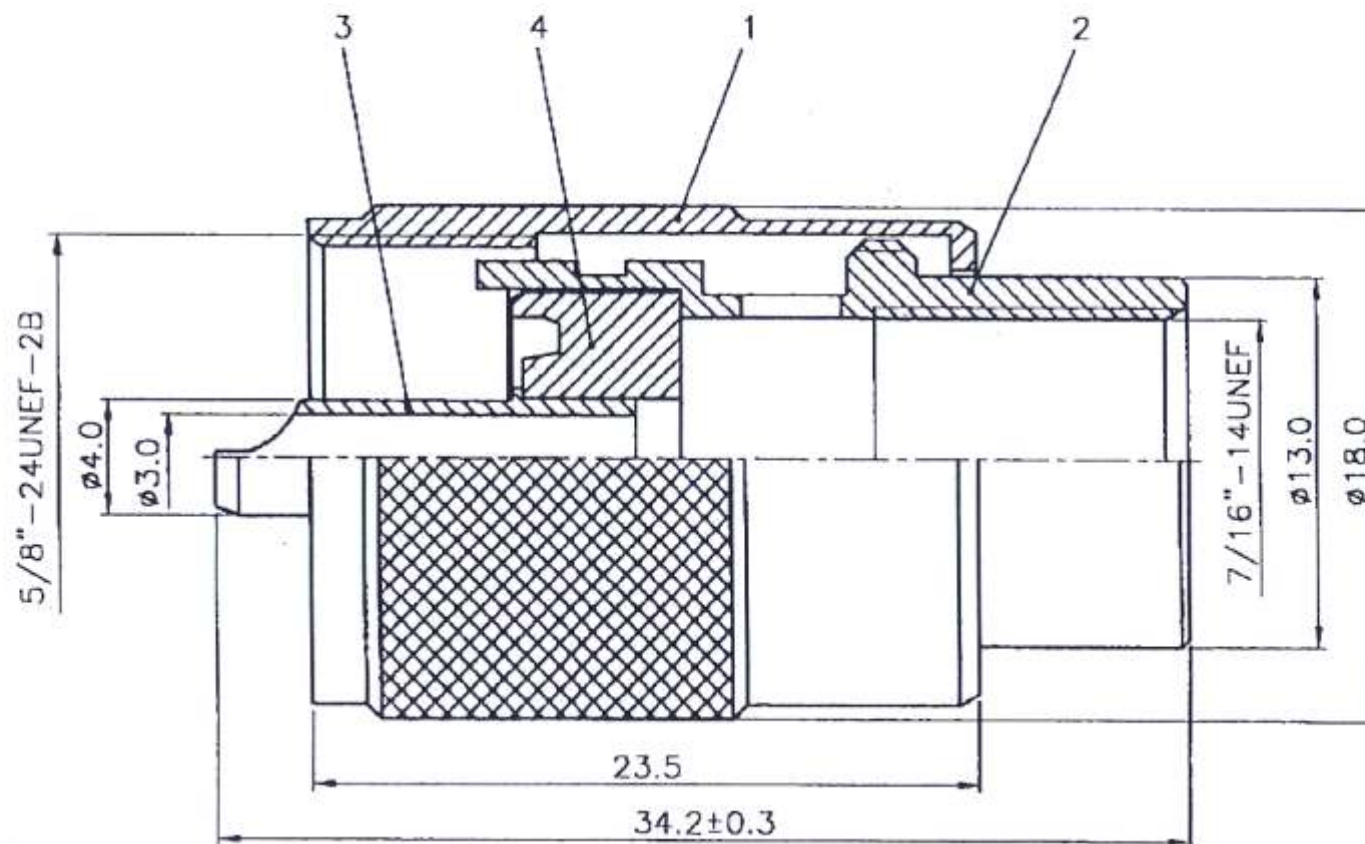
5-30 = +/- 0.4

30-120 = +/- 0.6

120-315 = +/- 1

315-1000 = +/- 1.6

1000-2000 = +/- 2.4



No.	DESCRIPTION	Qty	MATERIAL	FINISH	APPROVED BY:	UNITED AU-VI CO., LTD.
4	INSULATOR	1	BAKELITE	BROWN		Description: UHF MALE TWIST ON RG213/U, BAKELITE Part No.: V-7506EK 
3	PIN	1	BRASS	NICKEL		
2	BODY	1	BRASS	NICKEL		
1	SHELL	1	BRASS	NICKEL		
					Date: JUL. 25 2005	File No.: X2

ULTIMAX[®]
THE ULTIMATE ELECTRONIC COMPONENTS