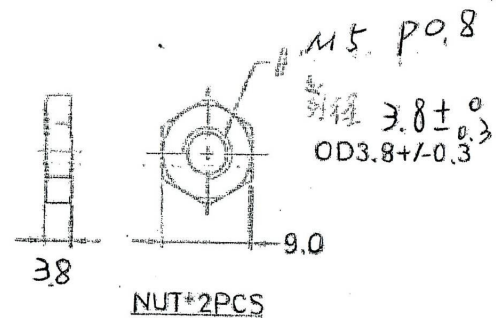
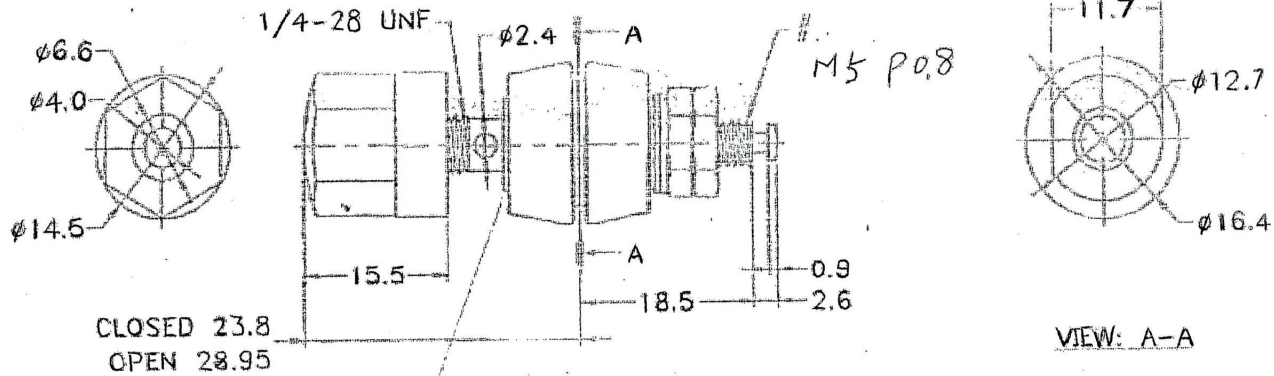


DIMENSIONS ARE IN MILLIMETERS

0.5-5= +/- 0.2  
 5-30= +/- 0.4  
 30-120= +/- 0.6  
 120-315= +/- 1  
 315-1000= +/- 1.6  
 1000-2000= +/- 2.4



SPECIFICATION:

1	INSULATED:	Nylon
2	BODY:	Brass, Ni-Plated
3	NUT:	FE, Ni-Plated
*	AMPERAGE RATING:	15A
*	Working Voltage Rating:	250V

APPROVED BY:



Date: JAN 01 201F

**UNITED AU-VI CO., LTD.**

Description: BINDING POST

Part No.: BI-3500

