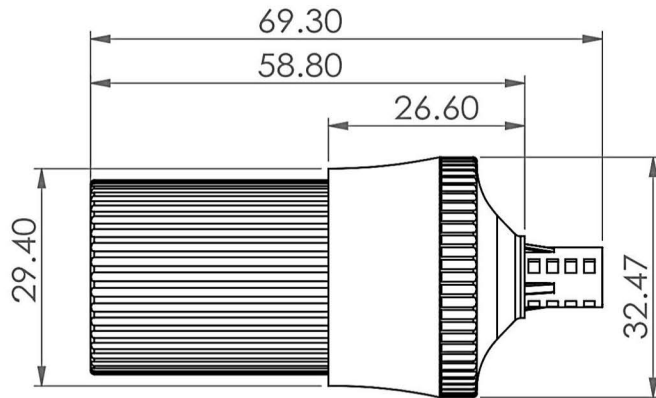


NO.	Part Name	Material	Note
1.	Tube	ABS	
2.	Casing	ABS	
3.	SR	PVC	
4.	Terminal(-)	Brass	
5.	Insulator	Bakelite	
6.	Terminal(+)	Brass	



Modify	Date	Revision			Approval	No.	Item#	CP-8550/UG				0			
							Title	In-line Cig. Socket				m/m			
							Mat'l	ULTIMAX®				1:1			
							Auth	CHK	Derek	DWG	Ring	Date	2016.11.15	Proj.	3rd
Size	0.5-6	>6-30	>30-120	>120-400			THE ULTIMATE COMPONENTS								
Tol	+/-0.05	+/-0.1	+/-0.15	+/-0.2											