

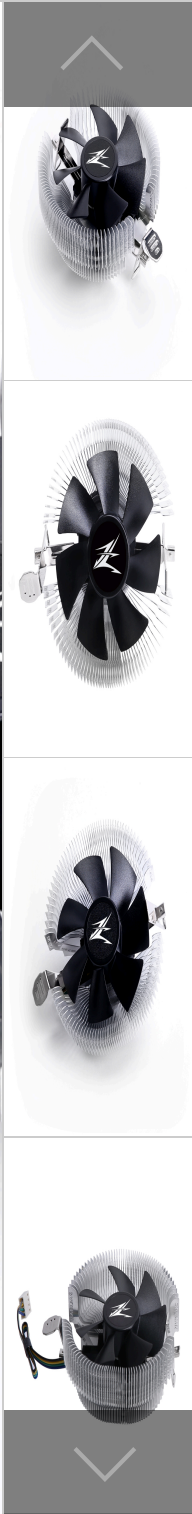
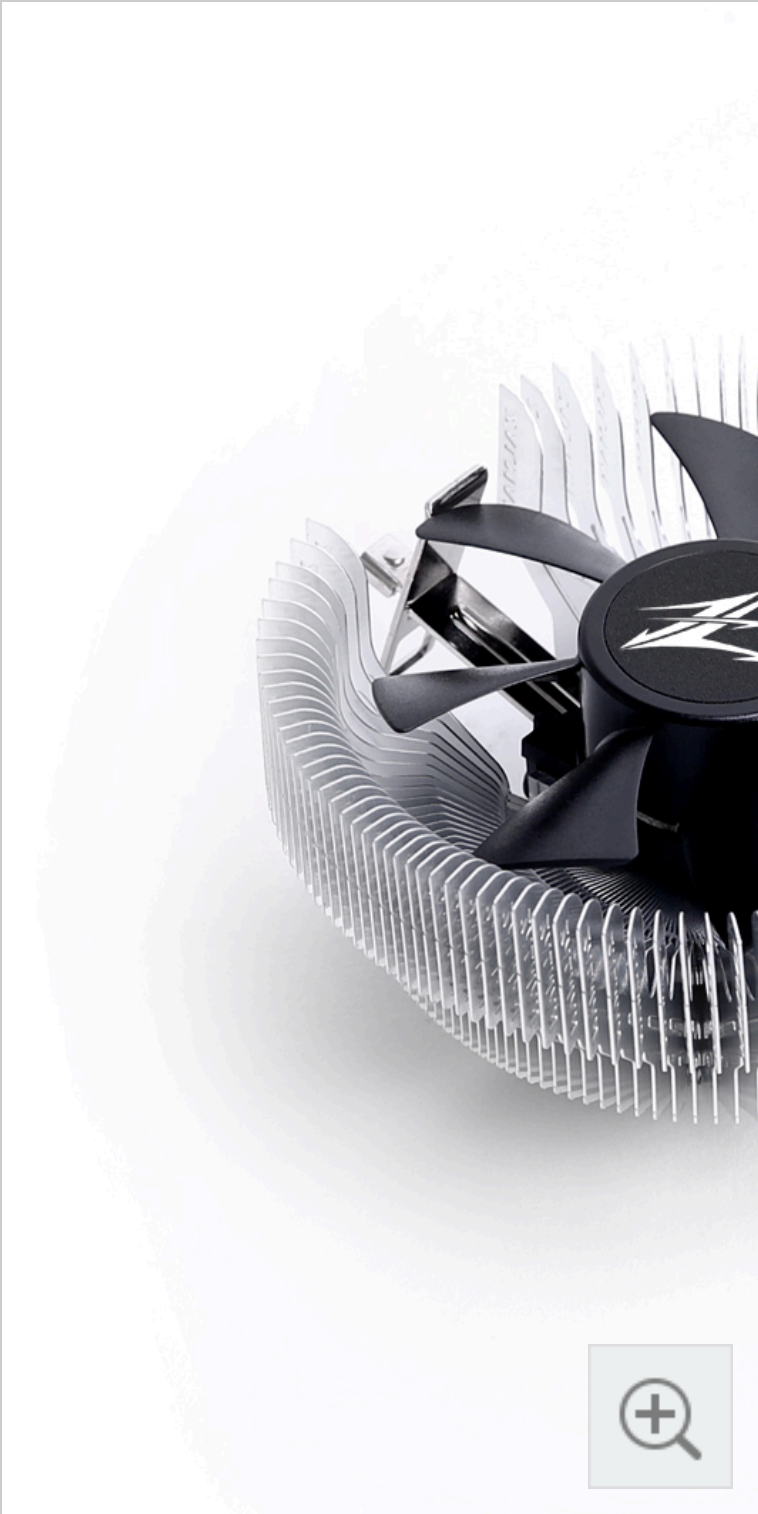
# COOLING

Home > COOLING > CPU AIR COOLER

## CNPS80G Rev.1

---

2020.01

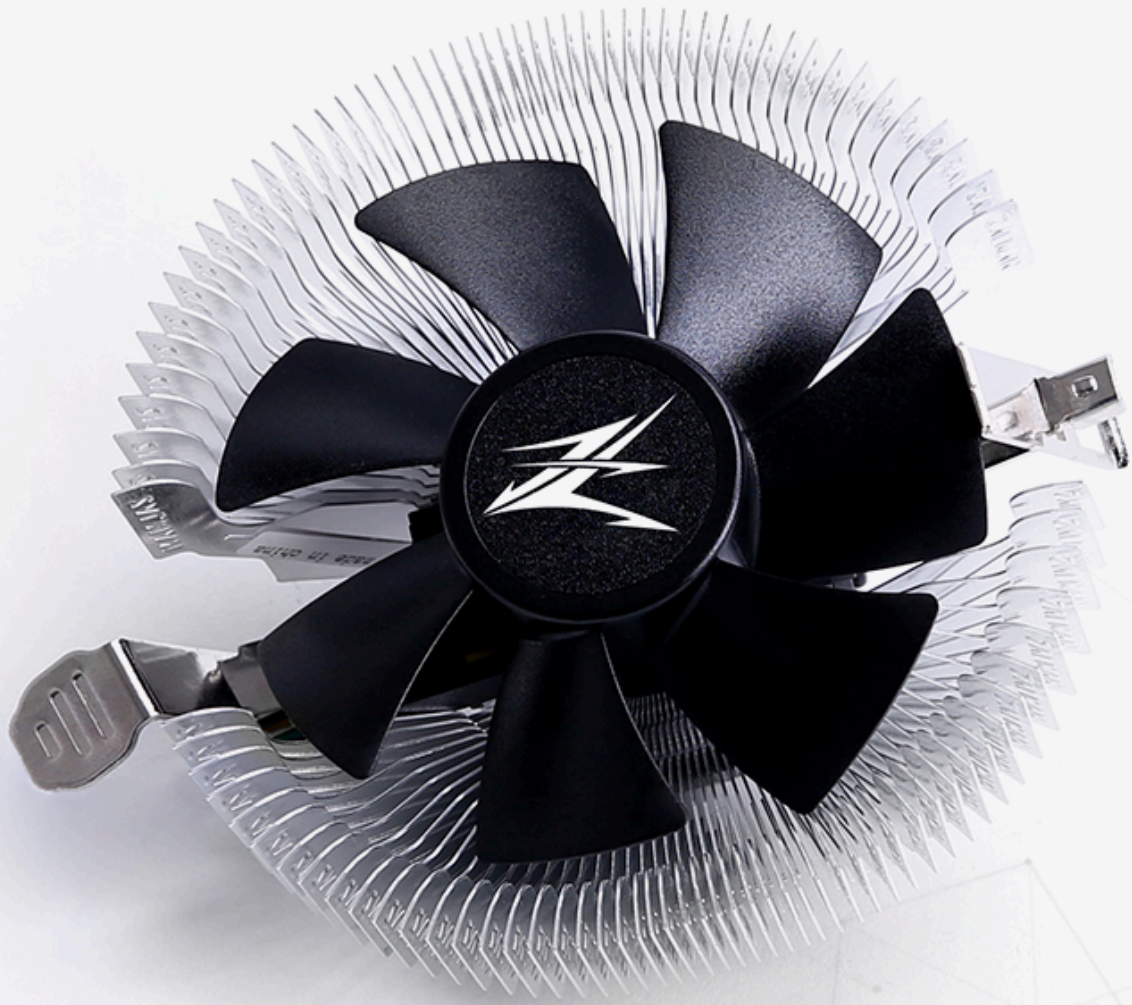


PRINT

Download

# ULTRA QUIET CPU COOLER

# CNPS80G **Rev.1**



## Sockets Compatibility

Intel Sockets : LGA1200/115X / 775 CPUs

AMD Sockets : AM5 / AM4 / AM3+ / AM3 CPUs

- 
- FHS Fin (Flower Heatsink) Design
  - Excellent Cooling Performance
  - Maximized Heat Radiation Area
  - Ultra Quiet 85mm PWM Fan

- Compact Size

- Easy Install

Fully compatible with the latest high performance processors

*Intel, AMD*

It is fully compatible with the latest Intel's processors as well as AMD Ryzen.

Power management technology for each processor is seamless,  
so you don't have to worry about compatibility issues



Intel Processor



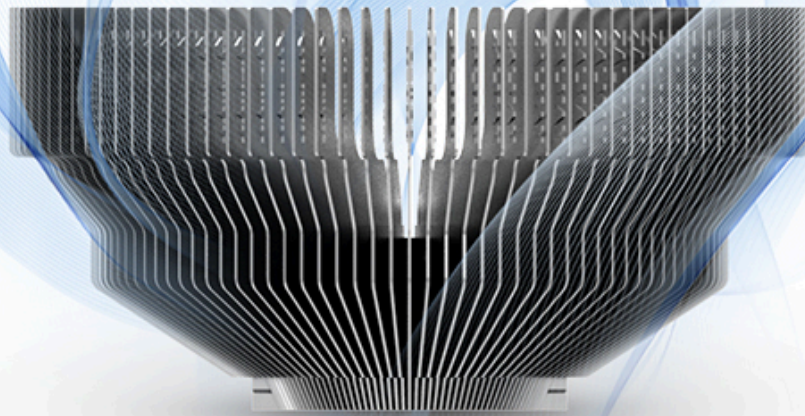
AMD RYZEN™ Processor

# Flower Heatsink (FHS) fin design for optimized performance

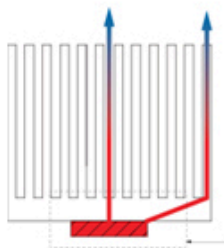
## [ Flower Heatsink ]

ZALMAN is the first in the world to introduce FHS (Flower Heatsink) technology (ZALMAN Patent) by producing a three-dimensional radial shape fins through the compression process of an aluminum plate.

It features a wide heat dissipation structure compared to other compression type heatsink, and the heat generated from the CPU is evenly distributed throughout the heatsink which made it possible to achieve 65W TDP in a compact size.

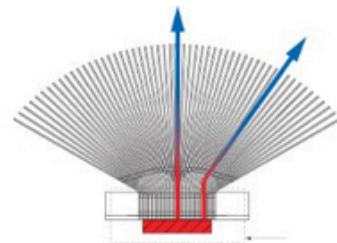


※ This image is intended to help understand the product



### Heat Element (A)

Heat transfer path of common heat sink



### Heat Element (B)

Heat Transfer path of FHS(Flower Heat Sink)  
FHS provides a simple heat transfer path  
and larger heat dissipation area.

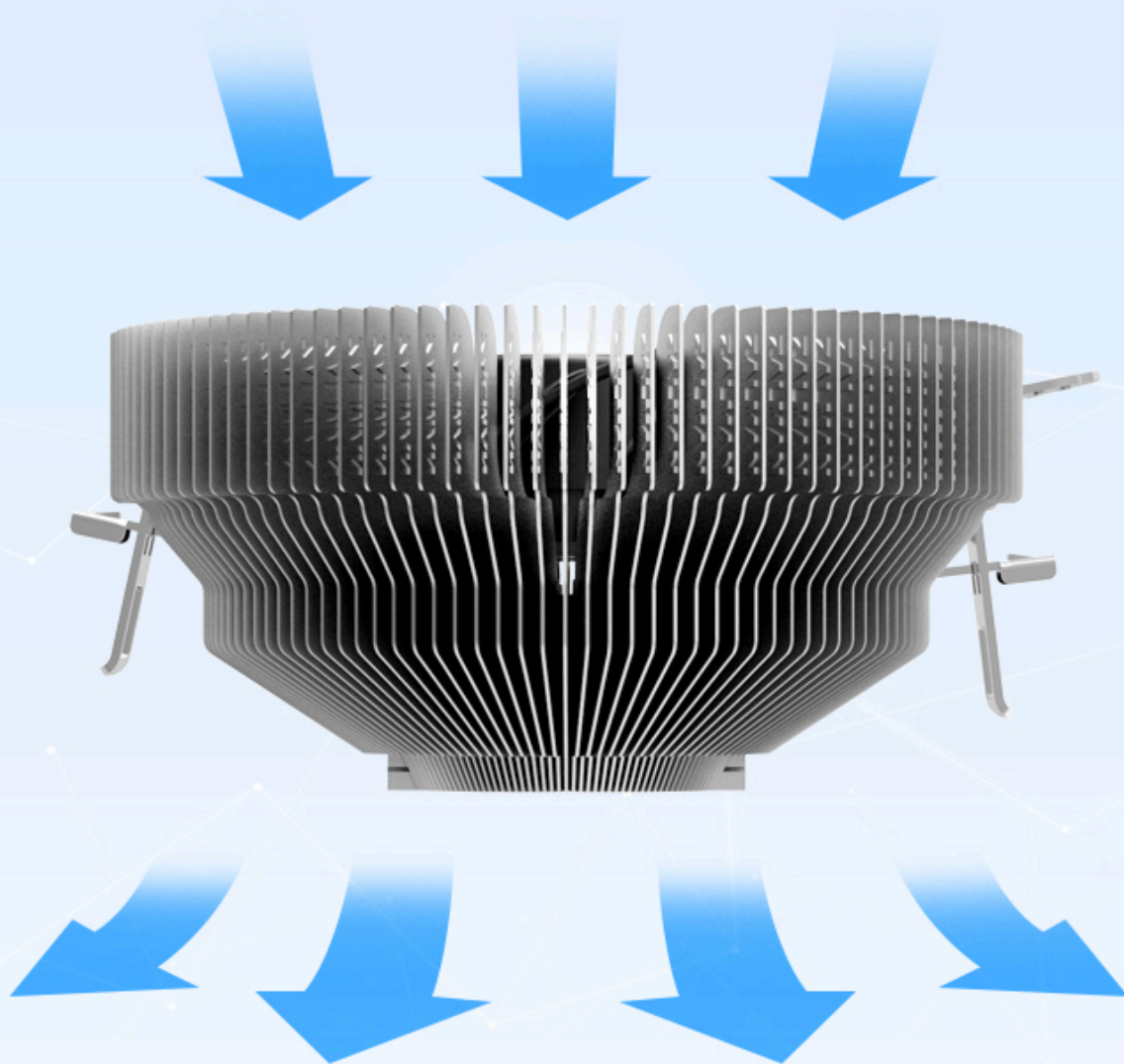
## Optimized design for maximized heat radiation area

---

[ Down Blowing ]

1.5x heat radiation area compared to other same volume coolers.

Top-Down Blowing design cools not only the CPU but also the other components around the CPU.



※ This image is intended to help understand the product

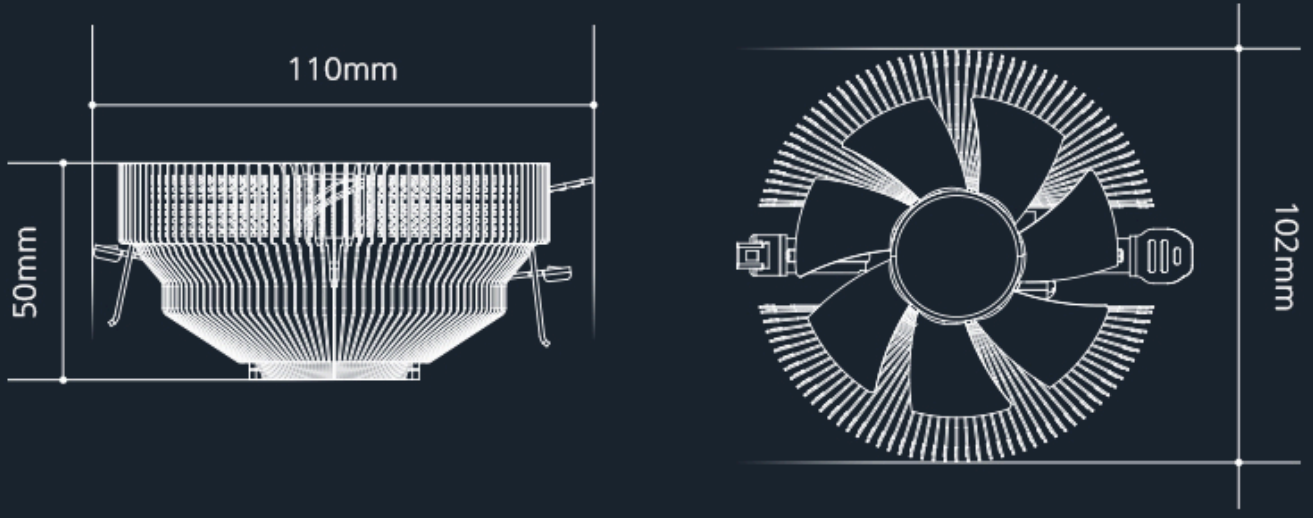
## Compact Size (CPU Cooler Height : 50mm)

---

[ Small Size ]

[ Small Size ]

Eliminating installation constraints with its compact size.



※ The length & demension can be differ depend on measuring method.

# ZALMAN's Optimized Cooling Solution

## Improving Performance with Ultra-Quiet 85mm PWM Fan

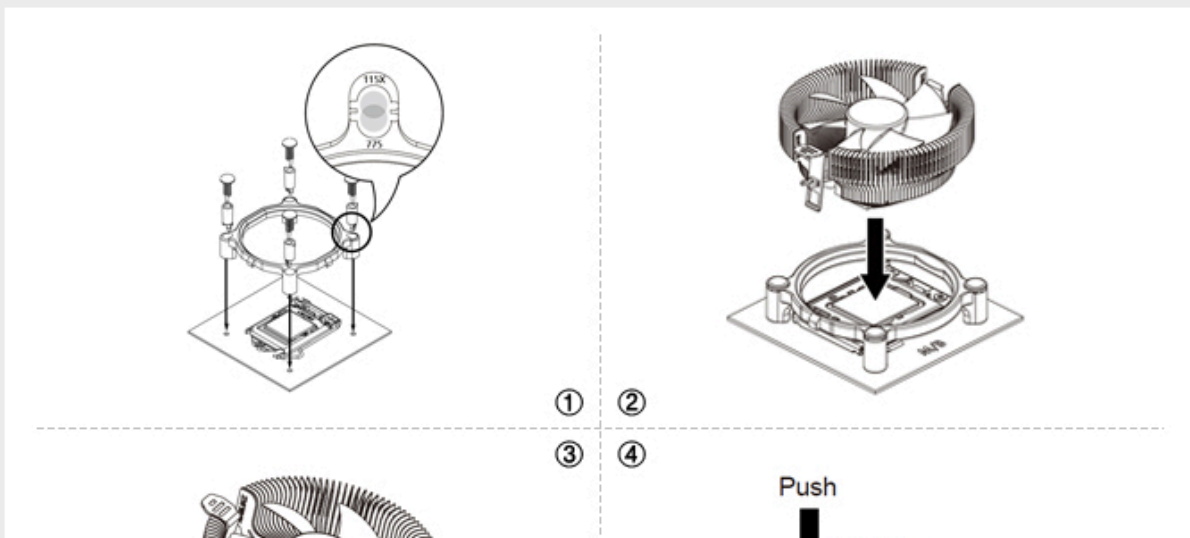
Optimized for FHS, the 85mm fan ensures maximum cooling performance.  
85mm fan has PWM function to adjust the RPM according to the CPU temperature to achieve high performance/low noise.

※ This image is intended to help understand the product

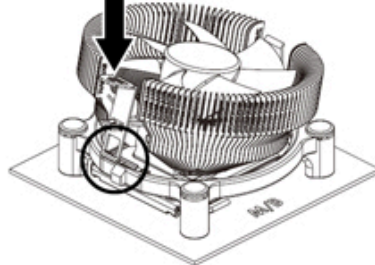
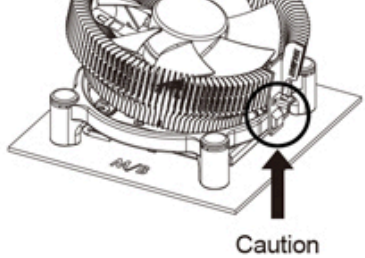
## Easy to Install

Providing the convenience of installation by applying clip installation method.

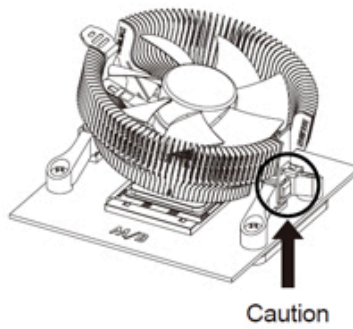
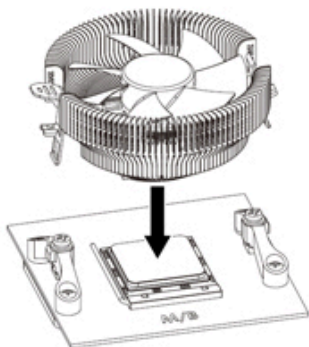
LGA 115X / 775



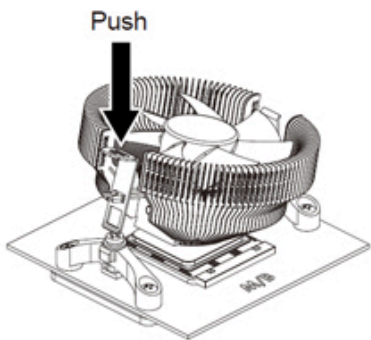




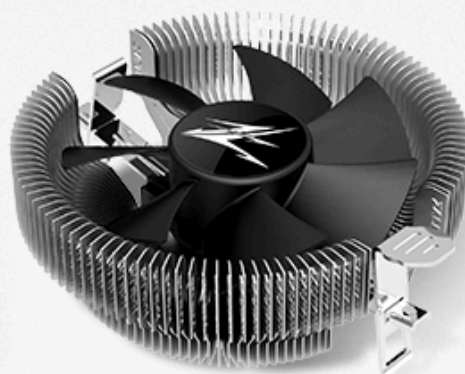
AM5 / AM4 / AM3+ / AM3



- ①
- ②
- ③



# ULTRA QUIET CPU COOLER CNPS80G Rev.1



## Product Components

Cooler / Intel Clip Support / Intel Push-Pin / Manual / Thermal Grease (ZM-STG2M)

# ULTRA QUIET CPU COOLER CNPS80G Rev.1

## Specifications

Model

Dimensions

Weight

---

CNPS80G Rev.1

---

110 x 102 x 50(H)mm

---

180g

---

**Material**

---

**Socket Compatibility**

---

**TDP**

---

Pure Aluminum

---

Intel : LGA1200/115X / 775  
AMD : AM5 / AM4 / AM3+ / AM3

---

65W

---

**Fan Size**

---

**Fan Speed**

---

**Fan Noise (Max)**

---

85mm

---

1,000~2,000 ±10% RPM

---

25.3 dB(A) ±10%

---

**Bearing Type**

---

**Fan Control Type**

---

**Fan Airflow**

---

Long Life Bearing

---

PWM Control

---

27.18 CFM

---

**Fan Connector**

---

**Fan Rated Voltage**

---

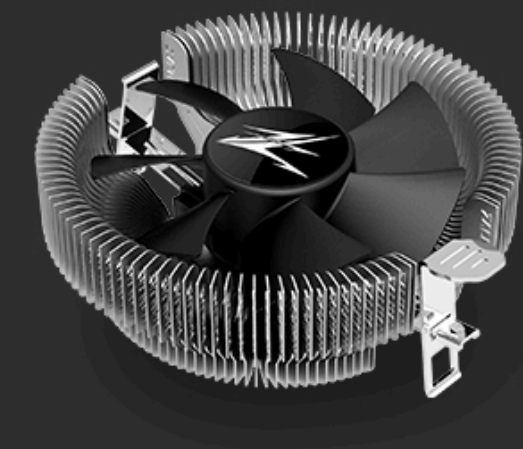
4-Pin

---

12 V DC

---

※ The length & demension can be differ depend on measuring method.



Developed and designed by ZALMAN in Korea.  
This product is protected by ZALMAN's pending or registered patents.

**ZALMAN**  
COOL INNOVATIONS



[www.zalman.com](http://www.zalman.com)

## COMPANY

Message from  
our CEO

About  
Zalman

Our  
commitment

History

Business  
Areas

Brand

Certifications  
Contact

## PR CENTER

Newsletter

Events

Product Reviews

Download



Site Map

[Affiliate Proposal](#)

[Support](#)