

PANEL CUT-OUT

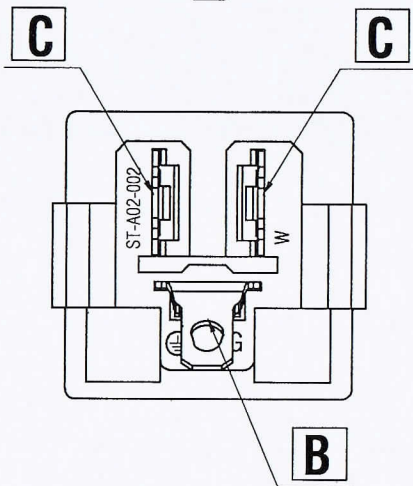
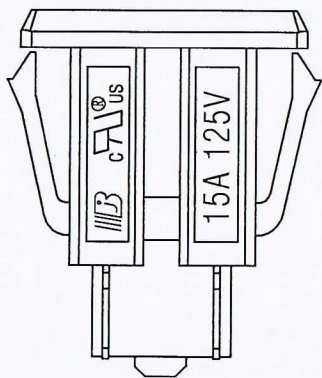
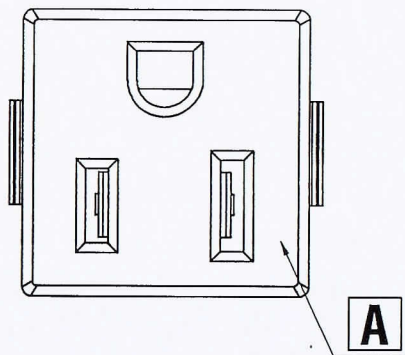
SPEC:

- A. Material:
 1. Housing: PA66 WITH G/F10%
 2. Terminal: COPPER ALLOY, TIN PLATED
- B. Electrical Characteristics:
 1. Rating: 15A 125V~ (UL,CUL)
 2. Electric Strength: AC 2,000 V FOR ONE MINUTE
 3. Insulation Resistance: 100MΩ MIN, AT 500V DC
- C. Approvals:
 UL, CUL

V1.4			
V1.3			
V1.2			
V1.1			
V1.0	2015.09.17	The drawing format conversion	-----
REV	DATE	DESCRIPTION	ECN NO.

浙江贝尔佳电子有限公司 BEJ Zhe Jiang BeiErJia EElectronic CO.,LTD	Name: AC OUTLET 3PIN SOCKET		
	Model No.: ST-A02-002		
Drawing For Customer			Part No.: ST-A02-002KL
DESIGNER 	CHECKED 	APPROVED 	File No.: BEJ-ZE-EK-A02-0011
Common Tolerance DIMENSION: 0.0 ±0.3 0.00 ±0.20 0.000 ±0.100		ANGLE: ±3°	UNIT: mm

项次	名称	料号	材质	规格	用量	备注
A	胶壳	A02-002K(Z)	PA66 G10	黑色	1PCS	
B	美式长弯脚静片	A02-YZ	黄铜	镀锡	1PCS	
C	美式短静片	A02-YS	黄铜	镀锡	2PCS	



浙江贝尔佳电子有限公司
BEJ Zhe Jiang BeiErJia EElectronic CO.,LTD

Name:
AC OUTLET 3PIN SOCKET
Model No.:
ST-A02-002

Bill Of Material (BOM)

REV	DATE	DESCRIPTION	ECN NO.
V1.4			
V1.3			
V1.2			
V1.1			
V1.0	2015.09.17	The drawing format conversion	-----

DESIGNER

CHECKED

APPROVED

Part No.:
ST-A02-002KL

File No.:
BEJ-ZE-EK-A02-0011(BOM)

王瑞平

丁成

周敬华