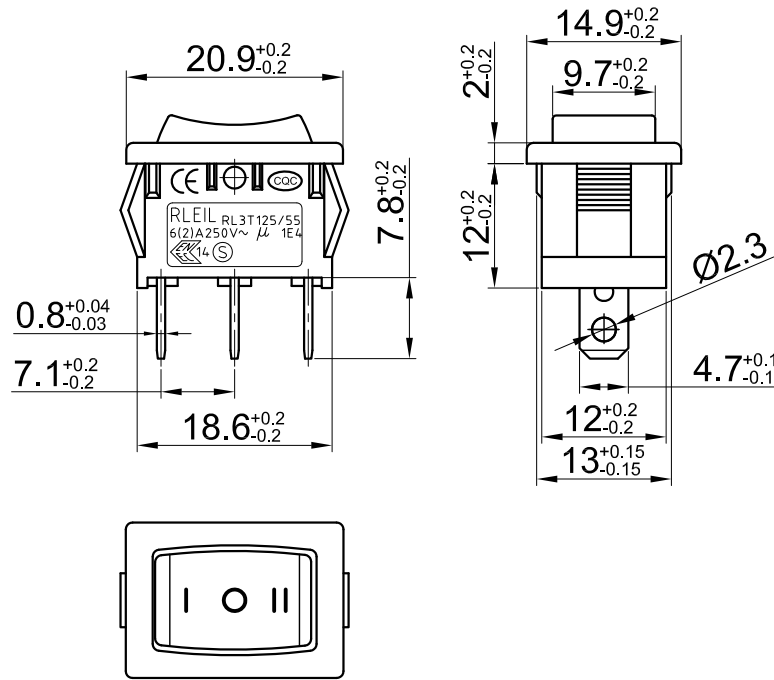


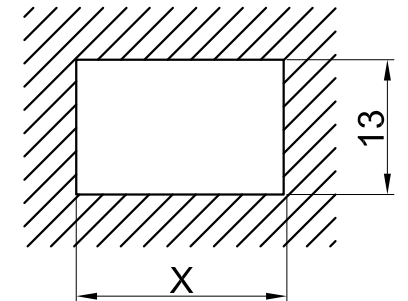
SPECIFICATION

1. RATING:UL C-UL:10A 125VAC
ENEC SEMKO:
6(2)A 250VAC T125/55 1E4
2. CIRCUIT:ON-OFF-ON SPDT 3P
3. CONTACT RESISTANCE:30m OHMS Max
4. INSULATION RESISTANCE:DC500V 100M OHMS Min
5. WITHSTAND VOLTAGE:AC 1500V 1 Minute
6. ELECTRICAL LIFE:10000 Cycles at Full Load
7. OPERATION PORCE:300~800gf
8. OPERATION TEMPERATURE RANGE:-25~125° C
9. MECHANICAL LIFE:30000 Cycles at Full Load



PANEL HOLE SIZE

Panel thickness	X
0.75-1.25	19.2
1.25-2.0	19.4
2.0-3.0	19.6



MATERIALS

1. HOUSING:Nylon #66 UL 94V-2
2. ROCKER:Nylon #66 UL 94V-2
3. TERMINAL:Copper Alloy Ag plated
4. CONTACTOR:AgSnO₂In₂O₃(10)/Cu

RLEIL® NINGBO YINZHOU LIHE ELECTRONIC CO., LTD						RL3-113-G-6-BK/BK-P5	
TITLE						SERIES	
ROCKER SWITCH						RL3	
FUNCTION						ON-OFF-ON	
DRAWING NUMBER						DRAWING NUMBER	
VIEWS TYPE							
设计	签名	年月日	标准化	签名	年月日		
绘图	符辉	16.05.21					
审核	张雪飞						
工艺			批准				