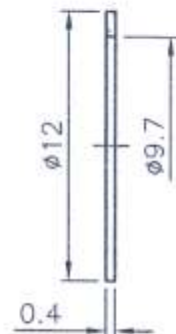
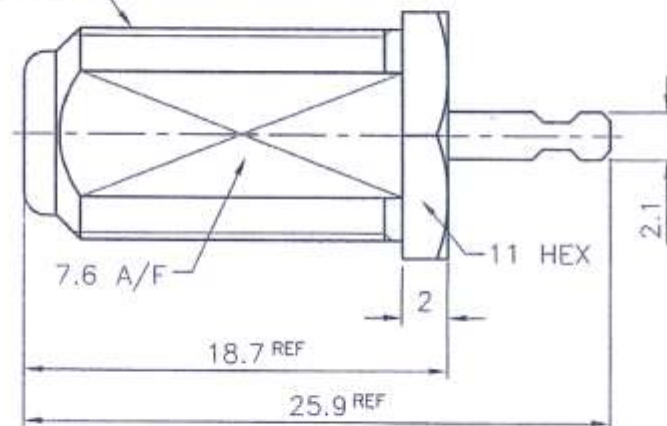


RECOMMENDED MOUNTING HOLE  
 (建議架設孔)




3/8-32UNEF-2A



- NOTES: FINISH (PLATING THICKNESS IN MICRO-INCHES)
1. BRASS PER QQ-B-626
  2. NICKEL PL 70 MIN THICK OVER COPPER STRIKE
  3. BRIGHT TIN PL 100 MIN THICK OVER COPPER STRIKE
  4. BRASS JIS H 3100, C 2680

RoHS COMPLIANT

6	NUT	STEEL	NOTE 2		APPROVED BY : 
5	WASHER	SS41	NOTE 2		
4	INSULATOR	P.P.	NATURAL		
3	CONTACT PIN	NOTE 4	NOTE 3		
2	INSULATOR	P.P.	NATURAL		
1	BODY	NOTE 1	NOTE 2		
NO.	DESCRIPTION	MATERIAL	FINISH	Q'TY	Date: NOV. 14 2008

**UNITED AU-VI CO., LTD.**

Description: F FEMALE BUKLHEAD

Part No.: V-7222

**ULTIMAX**<sup>®</sup>  
 THE ULTIMATE ELECTRONIC COMPONENTS

File No.: 7269BS706CL000B