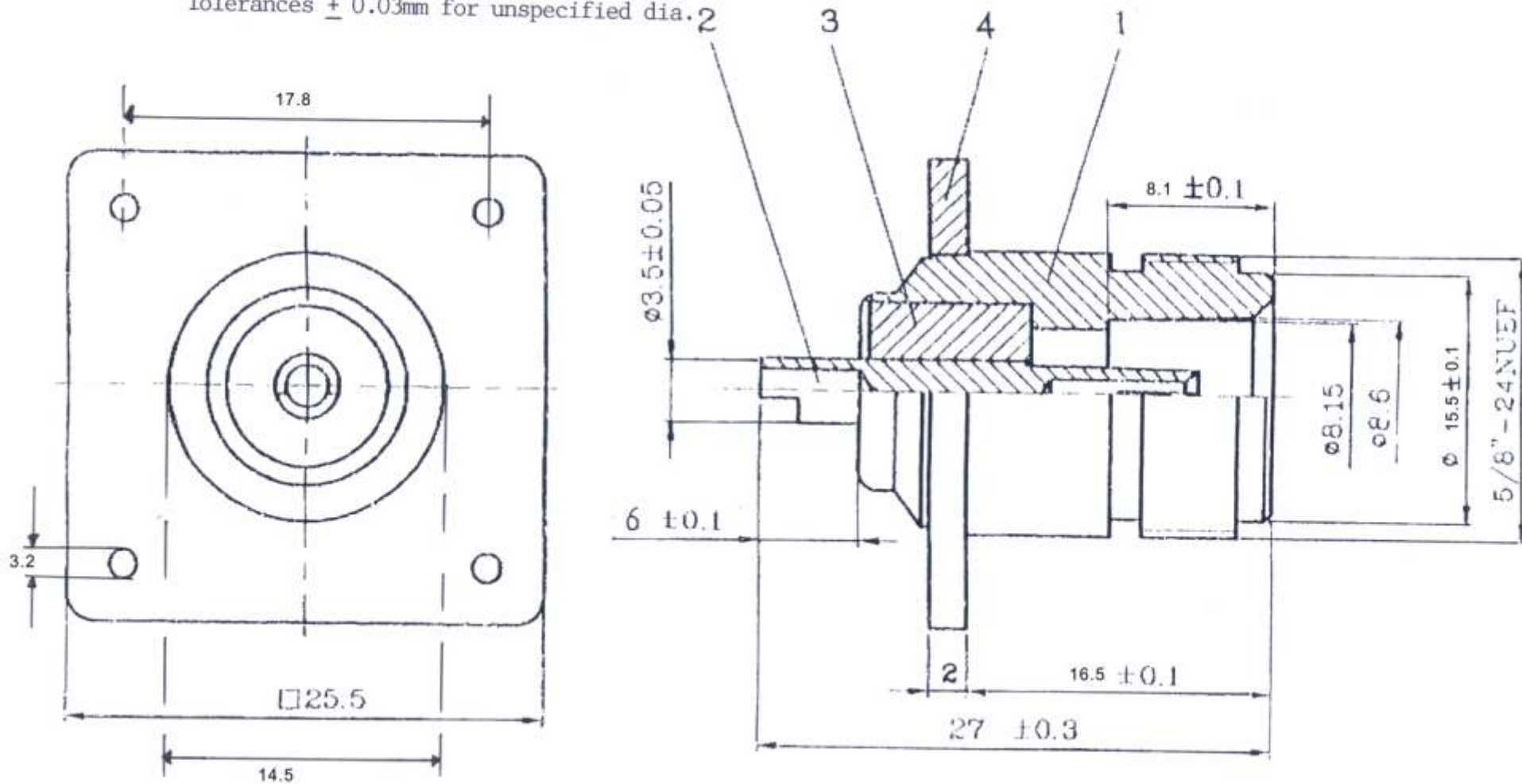


MARKS: Tolerances $\pm 0.08\text{mm}$ for unspecified length.

Tolerances $\pm 0.03\text{mm}$ for unspecified dia.



Approved by:



UNITED AU-VI CO., LTD.

Description: N FEMALE CHASSIS MOUNT - 4 HOLES

Part No.: V-7317-T

ULTIMAX®
THE ULTIMATE ELECTRONIC COMPONENTS

No. Description Qty Material Finish Date APR. 11 2001

Dimensions are in millimeters

| | | | | |
|---|-----------|---|--------|--------|
| 4 | PANEL | 1 | BRASS | NICKEL |
| 3 | INSULATOR | 1 | TEFLON | WHITE |
| 2 | PIN | 1 | BRASS | NICKEL |
| 1 | BODY | 1 | BRASS | NICKEL |