

# HP164UI Mini Digital V / A combine Meter

## user's manual

### Main technical performance and parameters

Working voltage of Meter itself:DC 5-30V(The maximum input voltage can not exceed 30V. Otherwise the meter will be burned)

Working current of Meter itself: $\leq 20\text{mA}$

Voltage Measuring range: DC 0 - 100V

Current Measuring range: DC 0 - 10A

Voltage resolution (V): 0.1V

Current resolution (A): 0.01A

Measure accuracy: 1% ( $\pm 1$  digit)

Display: 0.28" digital tube

Refresh rate: about 300mS / times

Dimensions:48mm\*29mm\*26mm

Opening size: 46mm\*27mm

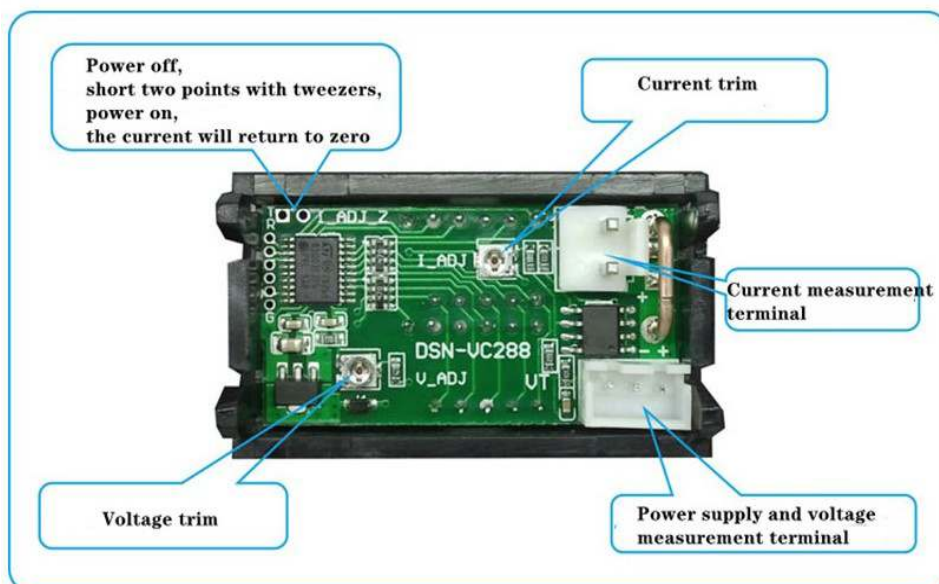
Operation Temp:  $-10^{\circ}\text{C}$ - $+55^{\circ}\text{C}$

### Function description

This meter's measurement range is 0-100V, this voltage is just measurement signal and it can't be regarded as voltmeter's working power supply. This voltmeter need outer working power supply which can supply DC5-30V as working power supply. About three wires, the black wire is communal negative pole, the white wire is connected to measuring voltage's positive pole, the red wire is connect to working power supply's positive pole, the measuring circuit and power circuit's negative pole are communal.

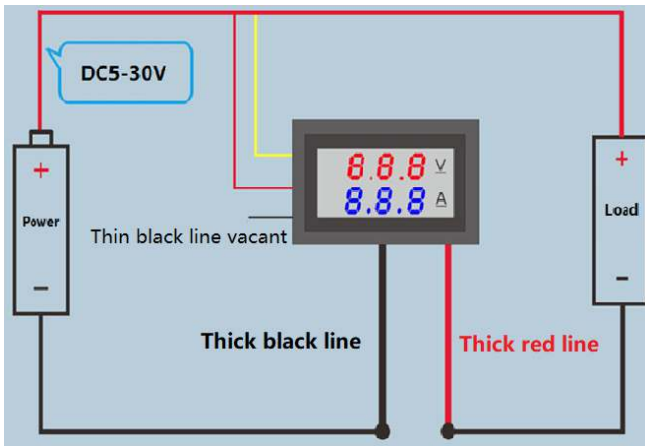
The voltage of this meter's working power supply is 5-30V, 30V is the voltmeter's maximum operating limited voltage, please leave enough margin when working, to avoid voltmeter's permanent damage because of electrical spark, power supply ripple, or other too high abrupt change of voltage.

This meter didn't do moisture-proof, waterproof, shockproof, anti-oil processing, please be careful or handle by yourself when using.

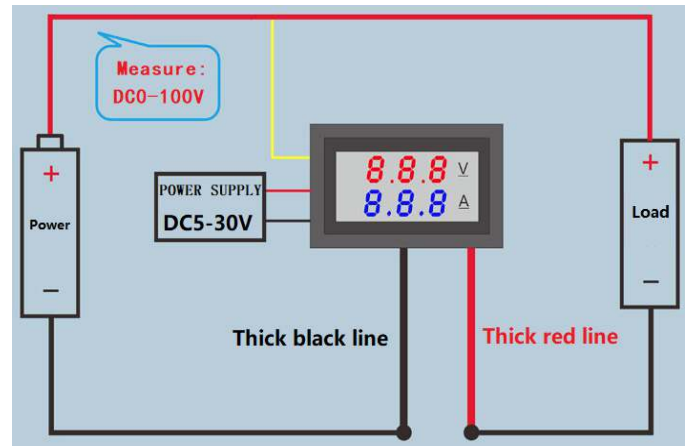


# Wiring diagram

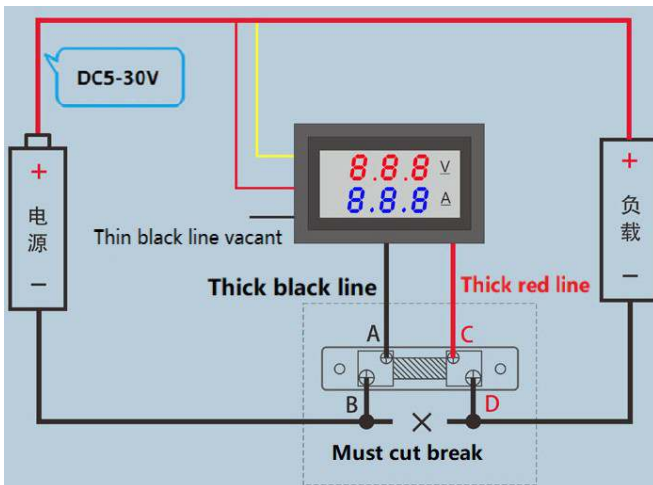
## DC 10A share the power supply:



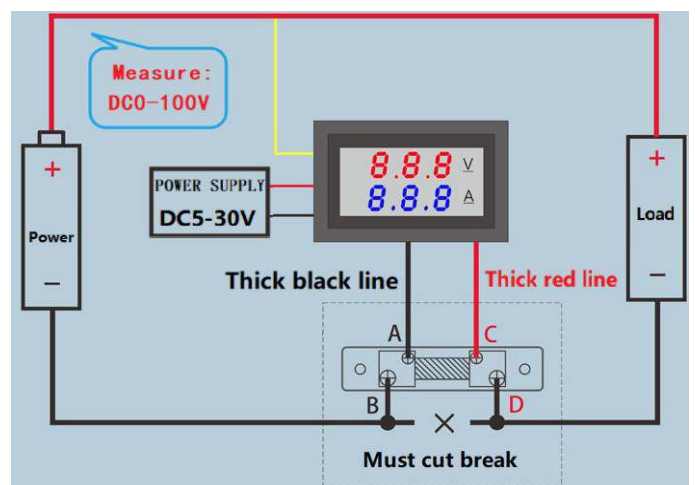
## DC 10A independent supply:



## DC50A/100A share the power supply



## DC50A/100A independent supply:



**Note :** That the 50A 100A specification must be connected with a shunt for use, otherwise the meter may be damaged