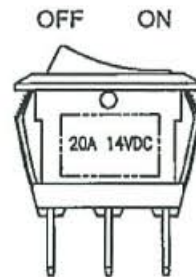
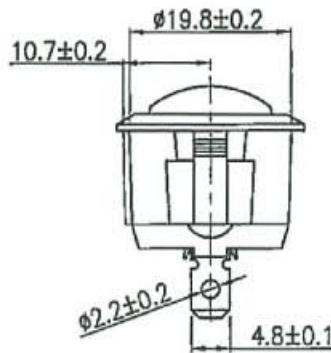
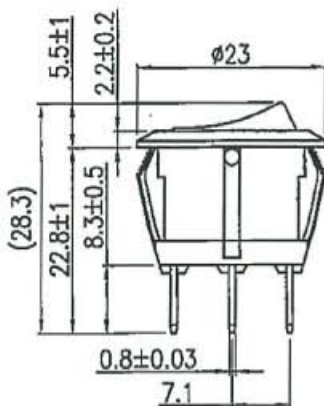
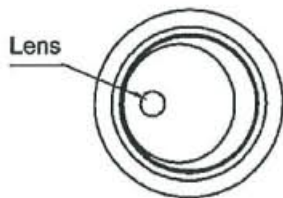
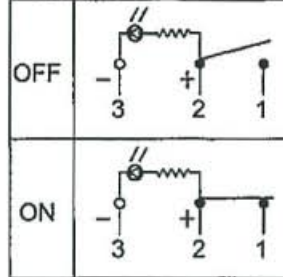


Rating	20A 14VDC	Mounting Hole	
Contact Resistance	50m ohm Max.		
Insulation Resistance	DC 500V 100M ohm Min.		
Dielectric Strength	AC 1500V 1 minute		
Operation Temperature	-25°C~85°C		
Switch Function	3P SPST ON-OFF (LED dependent)		
		Thickness:2.0~3.0	Thickness:0.7~3.0

Material:
 Frame: Nylon#66, Black
 Actuator: Nylon#66, Black
 Lens: PC, Red clear
 Printed: None

Circuit Diagram



Tolerances ±0.3 Unless Otherwise Specified

06/29/16	曹盈芳	依實物增加SCI LOGO和更新本體刻字			△
Date	Name	Description			No.
Drawn	Checked	Approved	1821255	Model Name	ROCKER SWITCH
曹盈芳		王作山	Customer No.	Model No.	R13-112B2-02
06/29/16		6/29/16	Unit	mm	Rev. 1